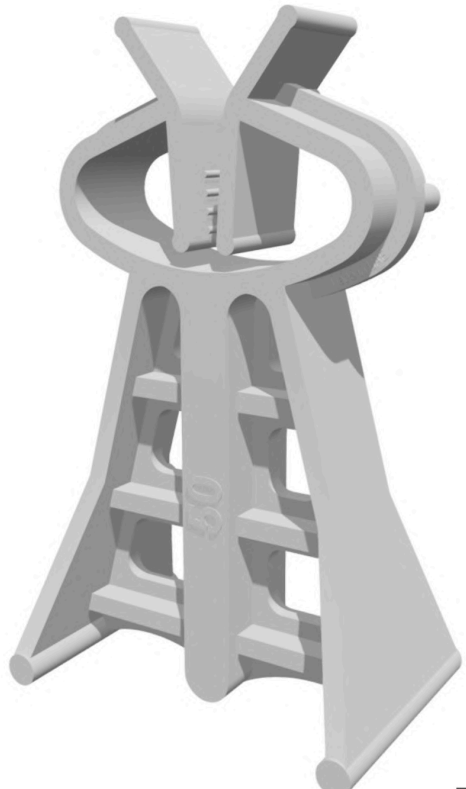


# PLASTIC CLIP SPACER 50mm

## HEAVY-DUTY PLASTIC CLIP SPACER (SNAP CHAIR)

<b>GREEN BUILDING</b> Recycled Material	<b>EASY TO WORK</b> No Binding Wiring	<b>VERY LIGHT</b> 10 times lighter than concrete spacers	<b>CUT COST</b> Save 30-70% compared to concrete spacers
--	--	---	---



<b>PRODUCT NAME</b> .....	50 mm Clip Spacer
<b>PRODUCT REFERENCE CODE</b> .....	50AHD
<b>COVER HEIGHTS</b> .....	50 mm
<b>REBAR DIAMETER</b> .....	6-18 mm (bar size #2 to #6)
<b>SPACER WEIGHT</b> .....	12 grams
<b>MATERIAL</b> .....	Polypropylene (PP)
<b>COLOR</b> .....	Black
<b>TEMPERATURE RESISTANCE</b> .....	+120 °C
<b>LOAD RESISTANCE</b> .....	300 kg
<b>PACKING QUANTITY</b> .....	1250 pcs
<b>BOX DIMENSION ( H x W x D )</b> .....	45 x 60 x 40 cm



INSTALLATION GUIDE



PRODUCED IN DUBAI FOR GCC



RECYCLED MATERIAL 100% RECYCLABLE

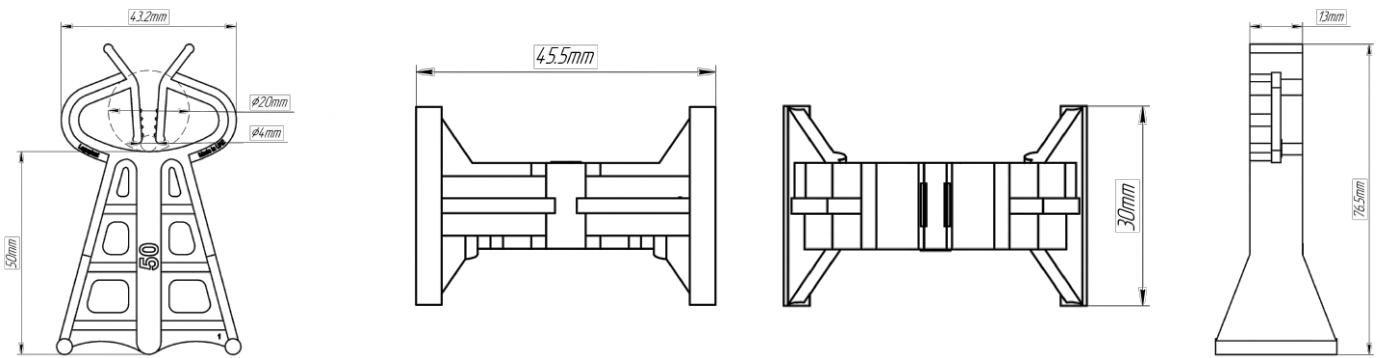


ISO 9001:2015 QMS  
ISO 14001:2015 EMS  
ISO 45001:2018 OHSMS



### DESIGN

Fully compliant to CRSI Manual of Standard Practice (USA)  
300% exceeds requirements of DIN1045 (Germany) for Class 2 Plastic Rebar Spacers



### SPECIFICATION

#	Parameter	Unit	Value
1	Concrete cover	mm	50
2	Bar size (diameter)	mm	6-18
3	Item weight	gm	12
4	Height	mm	76.5
5	Width	mm	45.5
6	Depth	mm	30

### PRODUCT DESCRIPTION

Heavy-duty plastic clip spacer (also named 'A' Shape Spacer) designed to accept bars from 6 to 18 mm. 300% exceeds requirements of German performance class L2. Fully compliant to CRSI Manual of Standard Practice (USA). Recommended installation at 50 to 100 cm intervals. The spacer can be used for various applications in pre-cast or insitu concrete.

### FACTORY ADDRESS

Legoplast Plastic Manufacturing L.L.C, 68 Street, warehouse S02 near building 27, Jabal Ali Industrial First, Dubai, United Arab Emirates, Makani № 1157464307, Land DM № (Plot №) 599-1138

**Note:** This certify that the above item was tested and verified according to Legoplast Plastic Manufacturing L.L.C test procedure.