

PLASTIC CLIP SPACER 25mm

HEAVY-DUTY PLASTIC CLIP SPACER (SNAP CHAIR)

| | | | |
|--|--|---|---|
| GREEN BUILDING Recycled Material | EASY TO WORK No Binding Wiring | VERY LIGHT 10 times lighter than concrete spacers | CUT COST Save 30-70% compared to concrete spacers |
|--|--|---|---|



| | |
|--|-----------------------------|
| PRODUCT NAME | 25mm Clip Spacer |
| PRODUCT REFERENCE CODE | 25AHD |
| COVER HEIGHTS | 25 mm |
| REBAR DIAMETER | 6-18 mm (bar size #2 to #6) |
| SPACER WEIGHT | 5 grams |
| MATERIAL | Polypropylene (PP) |
| COLOR | Black |
| TEMPERATURE RESISTANCE | +120 °C |
| LOAD RESISTANCE | 300 kg |
| PACKING QUANTITY | 3500 pcs |
| BOX DIMENSION (H x W x D) | 45 x 60 x 40 cm |



INSTALLATION GUIDE



PRODUCED IN DUBAI FOR GCC



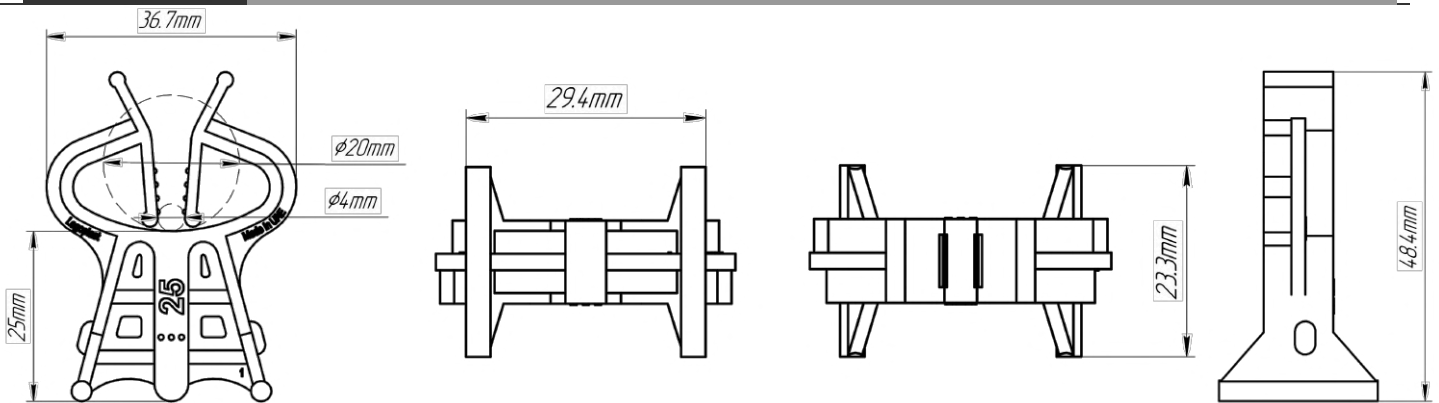
RECYCLED MATERIAL 100% RECYCLABLE



ISO 9001:2015 QMS
ISO 14001:2015 EMS
ISO 45001:2018 OHSMS



DESIGN Fully compliant to CRSI Manual of Standard Practice (USA)
300% exceeds requirements of DIN1045 (Germany) for Class 2 Plastic Rebar Spacers



SPECIFICATION

| # | Parameter | Unit | Value |
|---|---------------------|------|-------|
| 1 | Concrete cover | mm | 25 |
| 2 | Bar size (diameter) | mm | 6-18 |
| 3 | Item weight | gm | 5 |
| 4 | Height | mm | 48.4 |
| 5 | Width | mm | 36.7 |
| 6 | Depth | mm | 23.3 |

PRODUCT DESCRIPTION

Heavy-duty plastic clip spacer (also named 'A' Shape Spacer) designed to accept bars from 6 to 18 mm. 300% exceeds requirements of German performance class L2. Fully compliant to CRSI Manual of Standard Practice (USA). Recommended installation at 50 to 100 cm intervals. The spacer can be used for various applications in pre-cast or insitu concrete.

FACTORY ADDRESS

Legoplast Plastic Manufacturing L.L.C, 68 Street, warehouse S02 near building 27, Jabal Ali Industrial First, Dubai, United Arab Emirates, Makani № 1157464307, Land DM № (Plot №) 599-1138

Note: This certify that the above item was tested and verified according to Legoplast Plastic Manufacturing L.L.C test procedure.